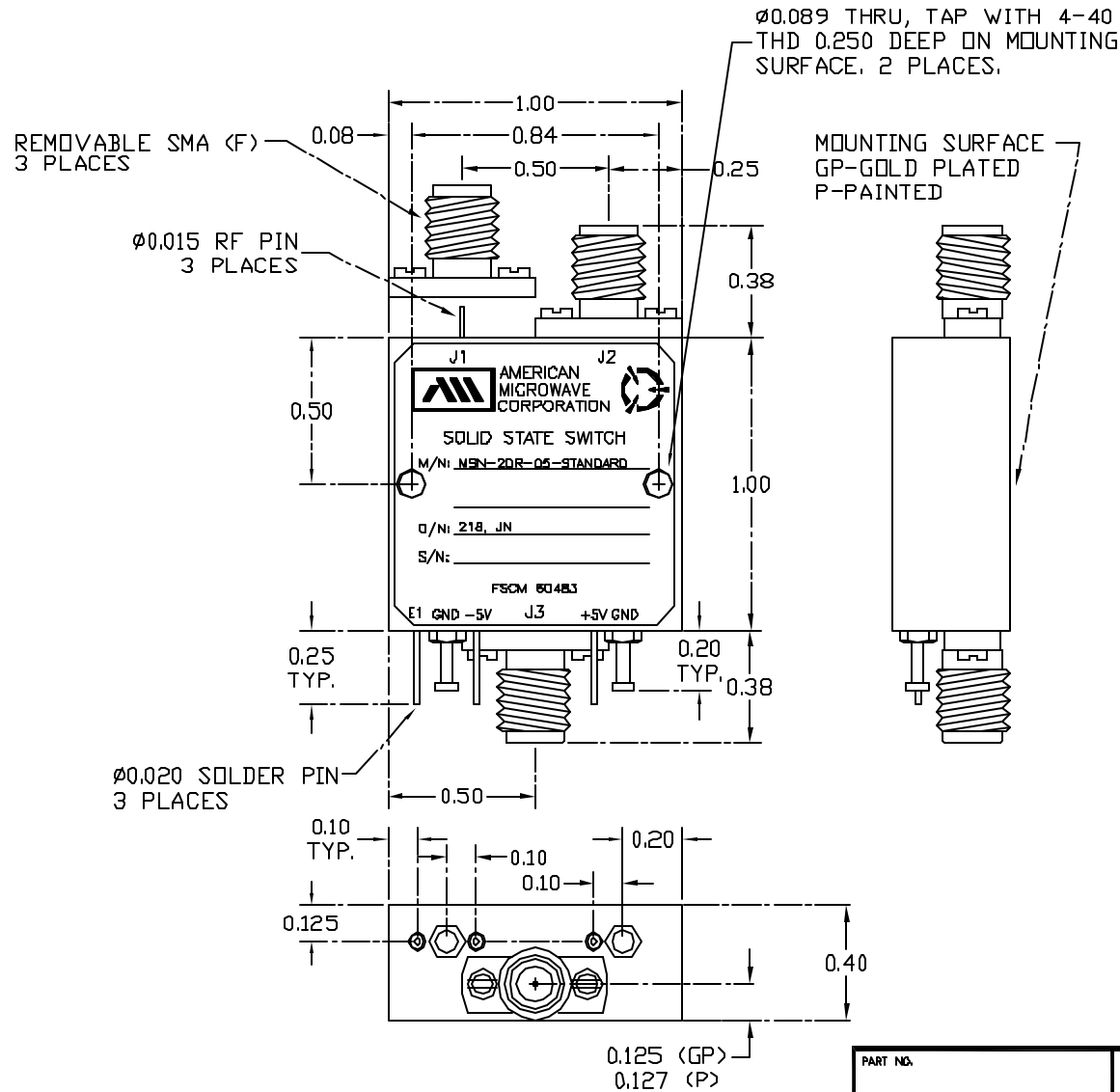


DESCRIPTION:

AMC MODEL MSN-2DR-05-STANDARD OPTION 218, JN IS A SINGLE POLE TWO THROW, REFLECTIVE SWITCH MODULE WITH VERY LOW INSERTION LOSS, HIGH ISOLATION AND WITH INTEGRAL TTL DRIVER, DESIGNED FOR BROADBAND OPERATIONS.

REVISIONS				
ZONE	REV.	DESCRIPTION	DATE	APPROVED
-	-	ORIGINAL QUOTE # SA205046B	07/20/06	

MECHANICAL OUTLINE DRAWING



ALL DIMENSIONS ARE IN INCHES

TOLERANCES:

X.XX ±0.020

X.XXX ±0.010

PART NO.		AMERICAN MICROWAVE CORPORATION FREDERICK, MARYLAND		
APPROVALS	DATE	TITLE		
DRAWN <i>R.R.A.</i>	07/20/06	MECHANICAL OUTLINE DRAWING MSN-2DR-05-STANDARD OPTION 218, JN SOLID STATE SWITCH		
CHECKED		SIZE	FSCM NO.	DWG NO.
ISSUED		A	60483	100-3922-12
		SCALE	SHEET 2 of 4	

DESCRIPTION:

AMC MODEL MSN-2DR-05-STANDARD OPTION 218, JN IS A SINGLE POLE TWO THROW, REFLECTIVE SWITCH MODULE WITH VERY LOW INSERTION LOSS, HIGH ISOLATION AND WITH INTEGRAL TTL DRIVER, DESIGNED FOR BROADBAND OPERATIONS.

SPECIFICATIONS:

- FREQUENCY:.....2 GHz TO 18 GHz
- INSERTION LOSS:.....2.5 dB MAXIMUM, 2 dB TYPICAL
- ISOLATION (ANY PORT):.....60 dB MINIMUM
- VSWR :.....2.0:1
- SWITCHING SPEED:.....75 nS TYPICAL, 100 nS MAXIMUM
(50% TTL TO 10%/90% RF)
- RISE/FALL TIME:.....10 nS TYPICAL, 15 nS MAXIMUM
(10% TO 90% RF)
(90% TO 10% RF)
- POWER INPUT :.....(CWO+20 dBm (STANDARD), +10 dBm (HIGH SPEED))
- SURVIVAL POWER:.....1 WATT CW, 10 WATTS PEAK 1 μSEC
- RF CONNECTORS:.....SMA FEMALE
- DC POWER SUPPLY:.....+5V ±10% @ 100 mA MAXIMUM
-5V ±10% @ 75 mA MAXIMUM
- CONTROL:.....TTL LOGIC "0"=ON J3-J1 "1"=ON J3-J2
- CONTROL INTERFACE:.....DC SOLDER PINS
- WEIGHT:.....1.5 OUNCES TYPICAL
- SIZE:.....1.00 (L) X 1.00 (W) X 0.40 (H)

OPTIONS:

- 21BOPTIMIZED FOR 2 TO 18 GHz FREQUENCY RANGE
- JNMEETING SPECIFICATIONS OF Mr. JOHN NOVAK FOR LOWEST INSERTION LOSS

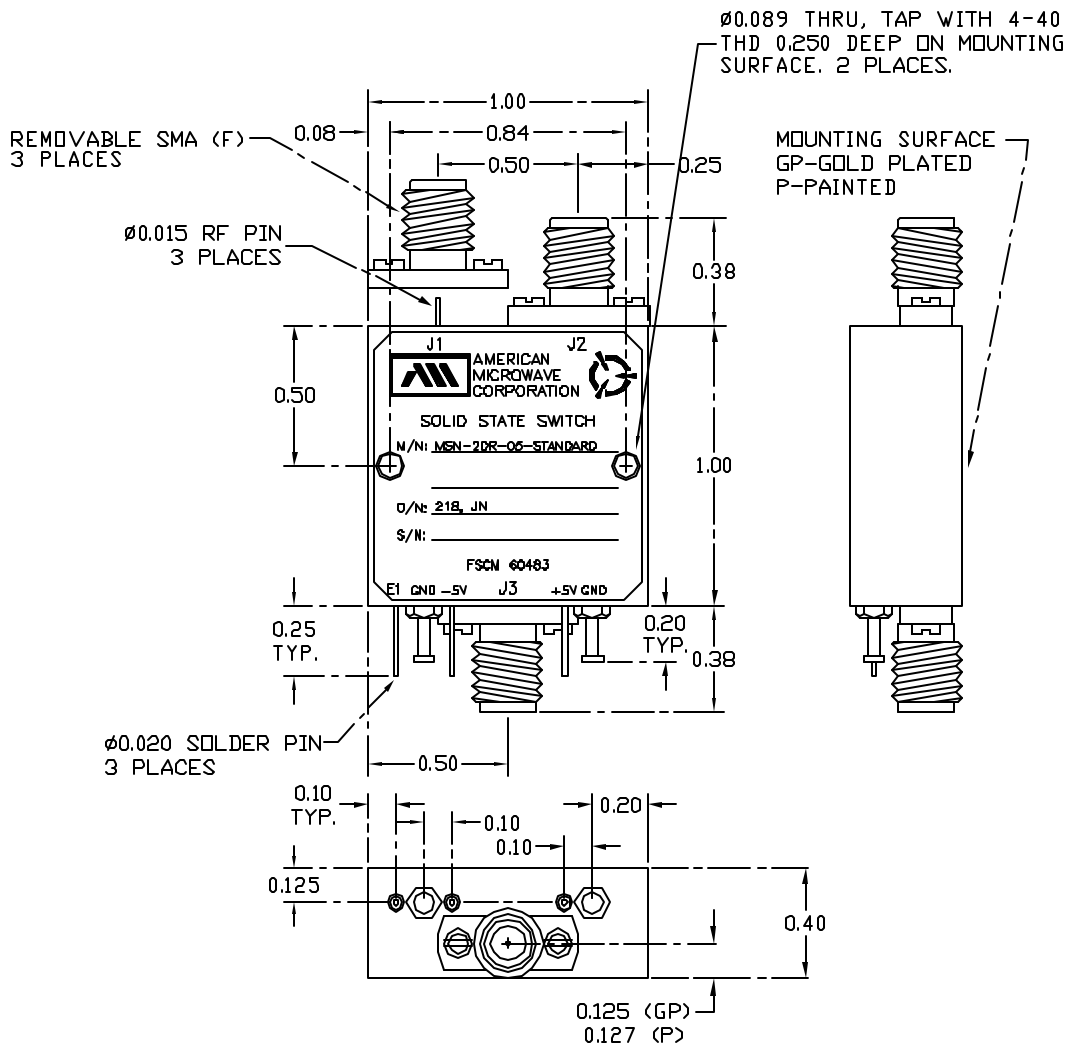
ENVIRONMENTAL RATINGS:

- TEMPERATURE:.....-10°C TO +55°C (OPERATING)
-40°C TO +71°C (STORAGE)
- HUMIDITY:.....95% OVER TEMPERATURE
- SHOCK:.....MIL-STD-202F, METHOD 213B COND. B
- VIBRATION:.....MIL-STD-202F, METHOD 204D COND. B
- ALTITUDE:.....MIL-STD-202F, METHOD 105C COND. B
- TEMPERATURE CYCLE:.....MIL-STD-202F, METHOD 107D COND. A

NOTE THE ABOVE SPECIFICATIONS ARE SUBJECT TO CHANGE OR REVISION

ALL DIMENSIONS ARE IN INCHES
TOLERANCES:
X.XX ±0.020
X.XXX ±0.010

REVISIONS				
ZONE	REV.	DESCRIPTION	DATE	APPROVED
-	-	ORIGINAL QUOTE # SA205046B	07/20/06	



M/N = MANUFACTURER PART NUMBER
O/N = OPTION NUMBER
S/N = SERIAL NUMBER

NOTE:
DT=WITH DRIVER, NON-REFLECTIVE/ABSORPTIVE

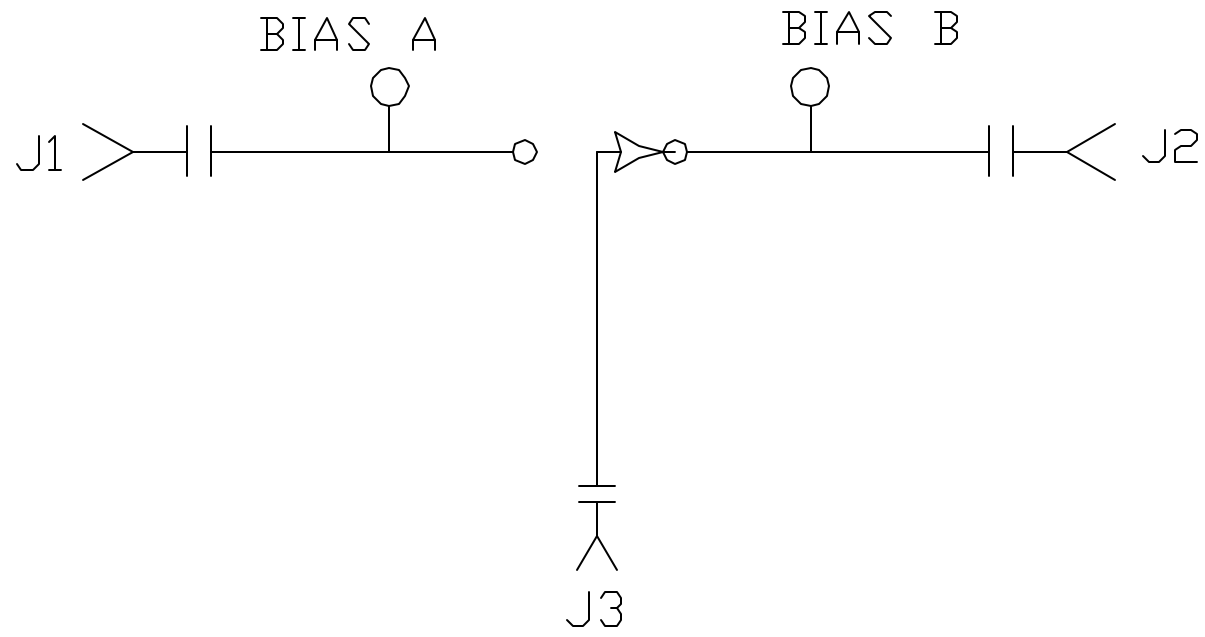
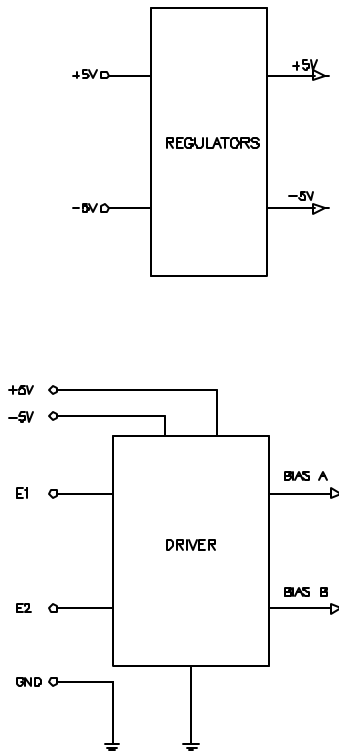
PART NO.		AMERICAN MICROWAVE CORPORATION FREDERICK, MARYLAND	
APPROVALS	DATE	TITLE	
DRAWN <i>R.R.A.</i>	07/20/06	PRODUCT FEATURE MSN-2DR-05-STANDARD OPTION 218, JN SOLID STATE SWITCH	
CHECKED		SIZE	FSCN NO.
ISSUED		A	60483
		DWG NO.	100-3922-12
		SCALE	SHEET 1 of 4


DESCRIPTION:

AMC MODEL MSN-2DR-05-STANDARD OPTION 218, JN IS A SINGLE POLE TWO THROW, REFLECTIVE SWITCH MODULE WITH VERY LOW INSERTION LOSS, HIGH ISOLATION AND WITH INTEGRAL TTL DRIVER, DESIGNED FOR BROADBAND OPERATIONS.

REVISIONS				
ZONE	REV.	DESCRIPTION	DATE	APPROVED
	-	ORIGINAL QUOTE # SA205046B	07/20/06	

FUNCTIONAL BLOCK DIAGRAM



PART NO.		 AMERICAN MICROWAVE CORPORATION FREDERICK, MARYLAND		
APPROVALS	DATE	TITLE		
DRAWN <i>RRd</i>	07/20/06	FUNCTIONAL BLOCK DIAGRAM MSN-2DR-05-STANDARD OPTION 218, JN SOLID STATE SWITCH		
CHECKED		SIZE	PSCM NO.	DWG NO.
ISSUED		A	60483	100-3922-12
		SCALE		SHEET 3 of 4